

Element 40 / 220 – 240 / 350 D CS L

Constant Current LED Power Supply

200mA - 250mA - 300mA- 350mA

Element linear LED Power Supply is the reliable choice for linear and area fixtures for office - industrial - shop lighting;

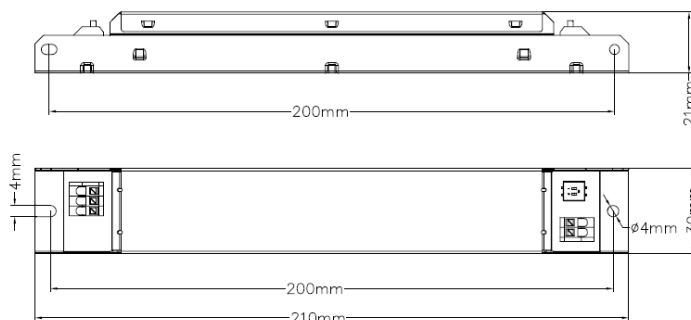
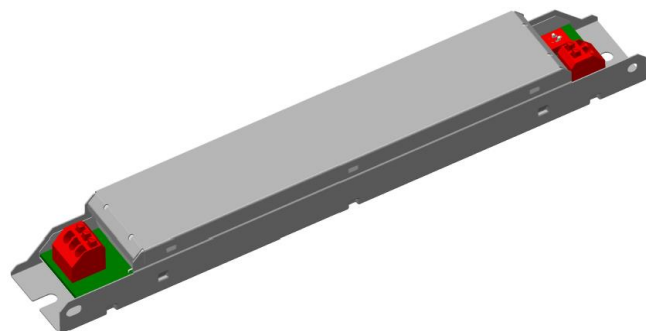
Benefits

Flexible with 1 driver offers 4 output currents;
Simple current selection via dip switch
Enable slim fixture design with flat 21mm height metal housing
Very high efficiency up to 92%
OSRAM quality and reliability

Applications

Linear and area lighting
Office – industrial - shop

Approval marks (under preparation if not on label)



White metal housing

Product features

- Output current: 200/250/300/350mA
- Wide output voltage
- Output power: 11W – 40W
- Low THD < 20% @ full load
- Power Factor up to 0.98
- Fixed output (no dimming)
- Overload, short & open circuit protection
- Efficiency up to 92%
- 50,000 hours lifetime at $t_c = 65^\circ\text{C}$
- Ambient temp range t_a : -20 to $+50^\circ\text{C}$

Electrical Specifications

Item	Value	Unit	Remarks
Nominal voltage	220 – 240	V _{AC}	
Nominal frequency	50 / 60	Hz	
AC voltage range	198 – 264	V _{AC}	Permitted voltage range
DC voltage range	NA	V	
Maximum voltage	300	V _{AC}	2hrs
Nominal current	0.19	A	@ 230V
Total Harmonic Distortion (THD)	<20	%	Full load, 230 V, 50 Hz / see graphs
Power factor	0.98		Full load, 230 V, 50 Hz / see graphs
Efficiency	92	%	Full load, 230 V, 50 Hz, typical / see graphs
No-load power	<0.5	W	230V, typical
Stand-by power	NA	W	
Power loss	2.6	W	at 230V
Protection class	class I		Suitable for class I luminaries
Inrush current	13.5	A	t _{width} = 170 μs typical
Max. units per circuit breaker	B16:28; B10:16 C16:45 ; C10:30		
Leakage current	< 0.7	mA	Output floating
Nominal voltage range	55-120	V _{DC}	@ 200/250/300/350mA output current, Refer to Table 1 for details
Maximum voltage	160	V _{DC}	Open circuit
Nominal current range	200/250/300/350	mA	
Current accuracy	+/- 7.5%		
Current ripple (typical)	<30%		Ripple / average @ 100Hz
Nominal power range	42	W	Partial Load. Refer to Table 1 for details
Maximum power	11 - 42	W	Ta ≤ 50°C, Refer to Table 1 for details
Galvanic isolation	Non Isolated		
Ambient temperature range t _a	-20 ...+50	°C	Refer to Table 1 for details
Maximum case temperature t _c	75	°C	Measured on t _c point indicated of the product label.
Max. case temp. in fault condition	TBD	°C	
Storage temperature range	-25 ...+85	°C	Cool down before operating
Relative humidity during operation	5...85	%	Not condensing
Surge transient protection	1/2	kV	L/N LN/PE acc. IEC 61000-3-2
Environmental rating	Indoor		
IP rating	IP20		
Mains switching cycles	> 100'000		
Expected lifetime	35000	hrs	t _c Max =75°C, 10% failure rate.
	50000		t _c Max =65°C, 10% failure rate.

Protections

Overload

Yes, reversible

No load

Yes, reversible

Short-circuit

Yes, reversible

Input overvoltage

Maximum allowed input voltage 300 V AC/ 2 hours

Output overvoltage

Yes, Limitation of Output voltage <160V

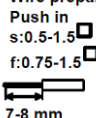
Output under voltage

Yes, protected under 48 V

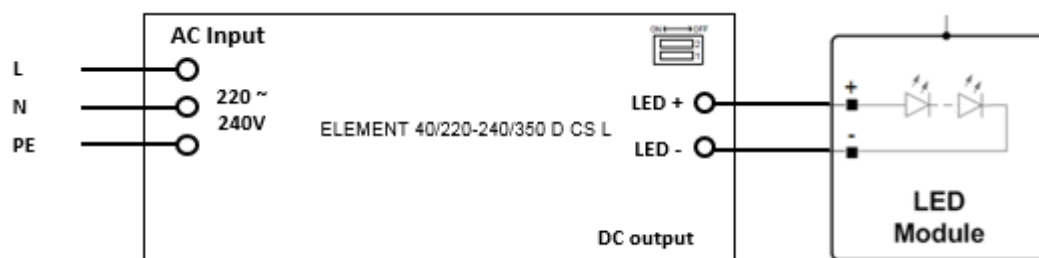
Wiring Diagram

Terminal: Push in terminals
 Max. cable length excl. modules: TBD
 Geometry (l x b x h): 210X30X21 mm
 Weight: 126 g

Wire preparation:



Hot plug-in or secondary switching of LEDs is not permitted and may cause a very high current to the LEDs.



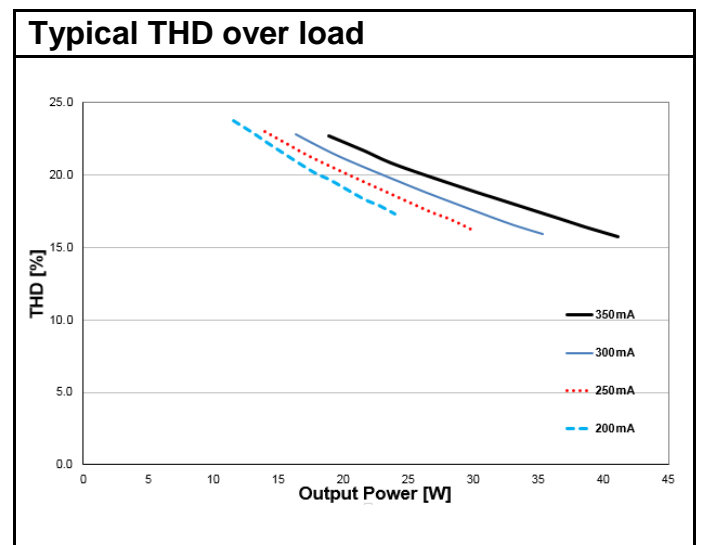
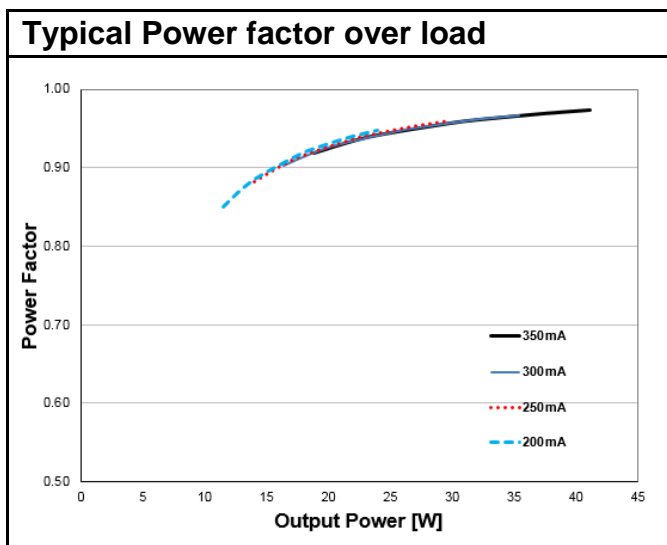
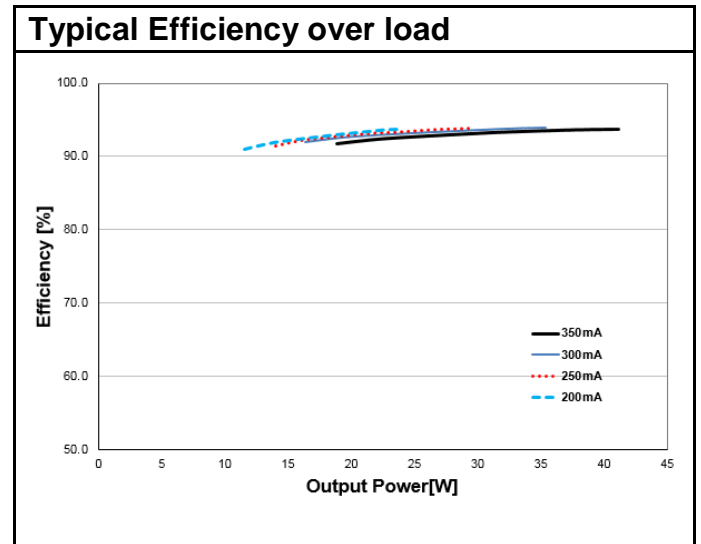
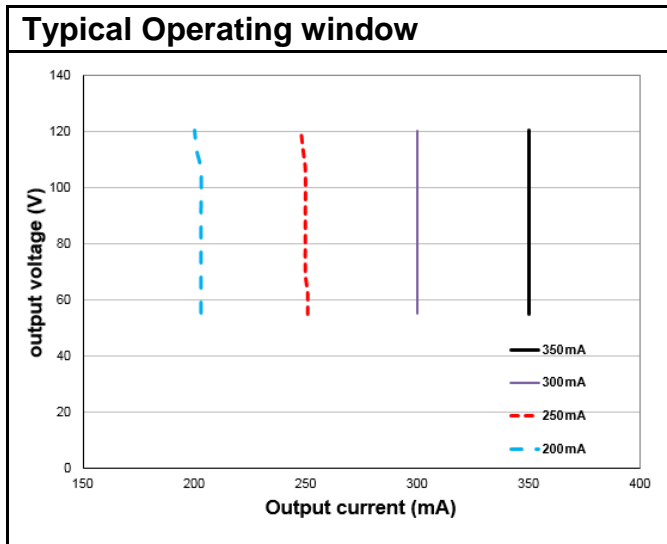


Table 1 - Rated output power and current sets				
I_{out} (mA)	200	250	300	350
U_{min} [V]	55	55	55	55
U_{max} [V]	120	120	120	120
P_{min} [W]	11	14	16.5	20
P_{max} [W]	24	30	35.5	41
T_a [°C]	50	50	50	50
T_c [°C]	75	75	75	75
Line Current, nominal@230V A	0.147	0.168	0.186	0.188
Max Power Loss@230V [W]	1.5	1.7	2.0	2.8
Input Power @230V [W]	25.5	31.7	37.5	43.8

Pin1	Pin2	Currents (mA)
OFF	OFF	200
OFF	ON	250
ON	OFF	300
ON	ON	350

Current selection by DIP-switch

Standards

Safety: IEC 61347-1, IEC 61347-2-13

Performance: IEC 62384

Harmonic content: IEC 61000-3-2

Immunity: IEC 61000-3-3

IEC 61547

Product name	EAN10	EAN40	Pieces / box
ELEMENT 40/220-240/350 D CS L	4052899553095	4052899553101	20

OSRAM GmbH

Head Office:

Marcel-Breuer-Strasse 6
80807 Munich, Germany
Phone +49 89 6213-0
Fax +49 89 6213-XXXX
www.osram.com

The OSRAM logo is displayed in a bold, orange, sans-serif font.